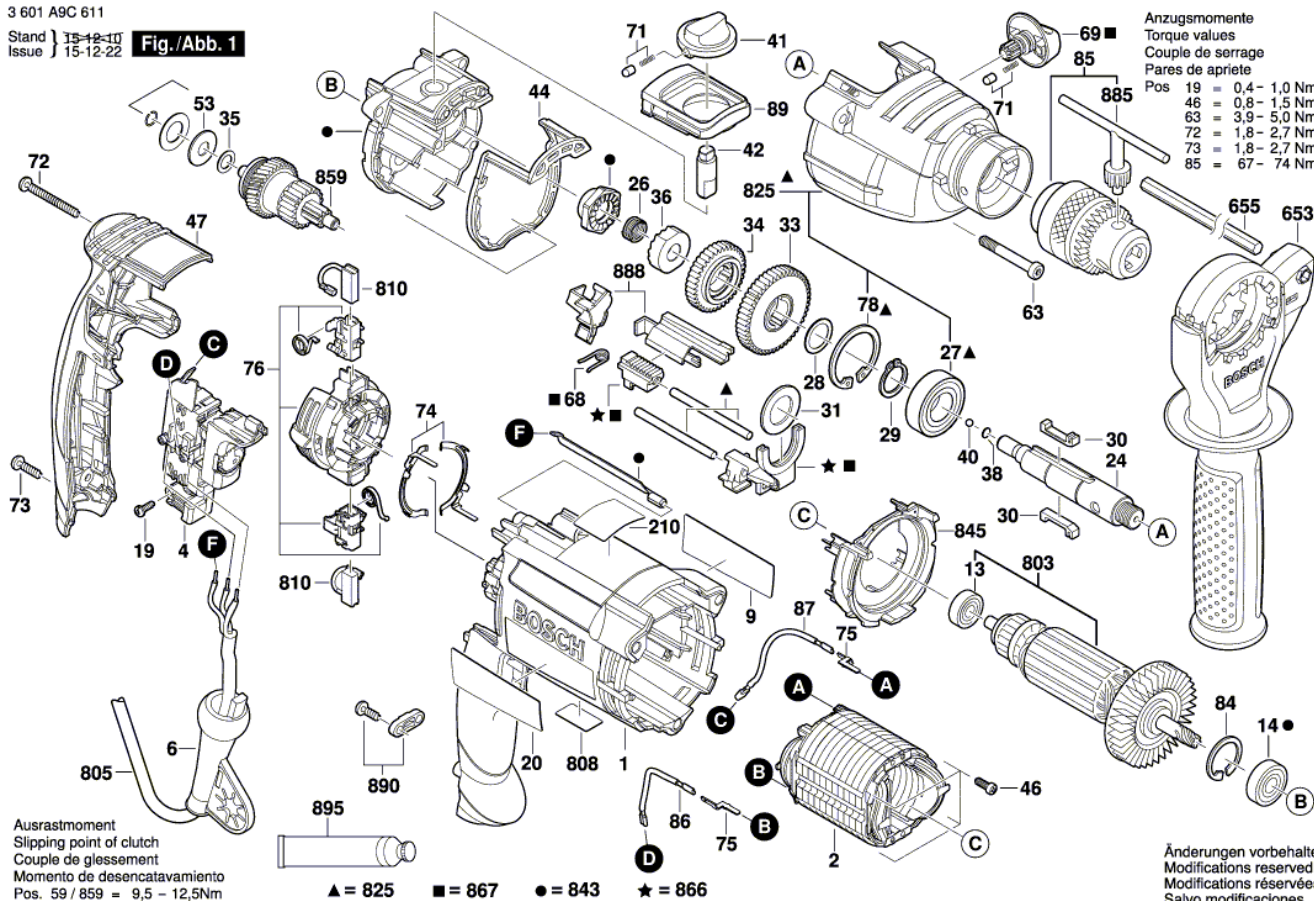




3 601 A9C 611

Stand } 15-12-10
Issue } 15-12-22

Fig./Abb. 1



Anzugsmomente
Torque values
Couple de serrage
Pares de apriete

Pos	19	46	63	72	73	85
	= 0,4 - 1,0 Nm	= 0,8 - 1,5 Nm	= 3,9 - 5,0 Nm	= 1,8 - 2,7 Nm	= 1,8 - 2,7 Nm	= 67 - 74 Nm

Austrastmoment
Slipping point of clutch
Couple de glissement
Momento de desenganavamiento
Pos. 59 / 859 = 9,5 - 12,5Nm

▲ = 825 ■ = 867 ● = 843 ★ = 866

Änderungen vorbehalten
Modifications reserved
Modifications réservées
Salvo modificaciones

**BOSCH** PARTS AND
SERVICE ONLINE

1800 W. Central Mount Prospect IL 60056

Tool Number: 3601A9C611

Model Number: HD21-2

Pos.	Part Number	Description	Pos.	Part Number	Description
1	2 605 105 143	Motor Housing	866	2 602 033 018	Adjusting Slide
2	2 604 220 728	Field	867	2 606 308 925	Toothed rack
4	2 607 200 672	Switch	885	2 607 950 007	Chuck Wrench
6	2 600 707 074	Grommet	888	2 601 328 900	Holding Plate
9	2 601 115 961	Manufacturer's nameplate	890	2 607 001 305	Fastening parts kit
13	2 600 905 032	Ball Bearing	895	3 605 430 003	Grease Tube
14	2 600 905 095	Ball Bearing			
19	2 603 490 017	Torx Oval-Head Screw			
20	2 601 115 964	Warning Plate			
24	2 606 135 148	Drilling Spindle			
26	2 604 616 013	Compression Spring			
27	1 900 905 163	groove ball bearing			
28	2 600 100 695	Shim			
29	2 916 650 008	Spring retaining ring			
30	2 602 300 032	Flat Key			
31	2 600 101 671	Retaining Washer			
33	2 606 317 086	Cylindrical Gear			
34	2 606 317 098	Cylindrical Gear			
35	2 600 101 047	Shim			
36	2 600 190 105	Catch Disk			
38	2 600 000 021	Shim washer			
38	2 600 000 030	Shim washer			
38	2 600 000 031	Shim washer			
40	1 903 230 009	Ball			
40	1 903 230 010	Ball			
40	2 603 230 007	Ball			
41	2 602 026 168	Rotary Knob			
42	2 603 120 064	Control Shaft			
44	2 601 015 091	Seal			
46	2 603 435 086	Tapping Screw			
47	2 605 132 071	Housing Cover			
53	2 600 550 008	Disc Spring			
63	2 603 435 085	Headless Screw			
68	2 604 616 014	Compression Spring			
69	2 602 026 117	Rotary Knob			
71	2 600 590 006	Ratchet Cap			
72	2 603 490 027	Torx Oval-Head Screw			
73	2 603 490 022	Screw			
74	2 601 324 062	Switch Contact			
75	2 601 099 260	Contact			
76	1 614 336 086	Brush Plate			
78	2 916 660 014	Spring retaining ring			
84	2 916 660 008	Spring retaining ring			
85	2 608 571 060	Key Chuck			
86	1 614 448 014	Connecting Cable			
87	2 604 448 338	Connecting Cable			
89	2 605 510 206	Bulb Shield			
210	2 601 115 906	Reference Plate			
653	2 602 025 184	Auxiliary Handle			
655	1 613 001 009	Depth-Gauge			
803	2 604 011 402	Armature			
805	2 604 460 911	Power supply cord			
808	1 601 11A 1NC	Nameplate			
810	1 617 000 525	Carbon-Brush Set			
825	2 605 806 882	Gear Housing			
843	2 605 700 949	Bearing Bracket			
845	2 600 148 016	Air-Deflector Ring			
859	2 606 309 942	Transmission			